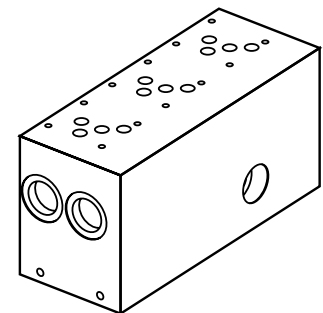
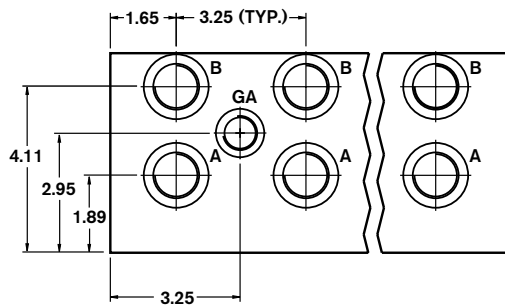
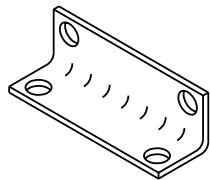
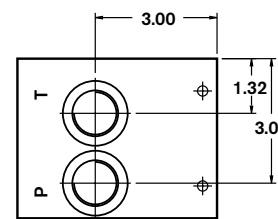
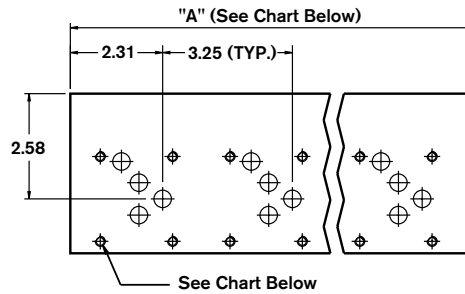
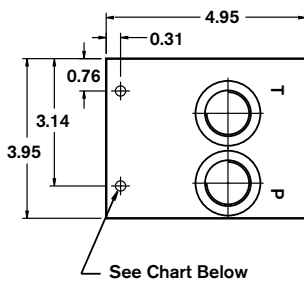
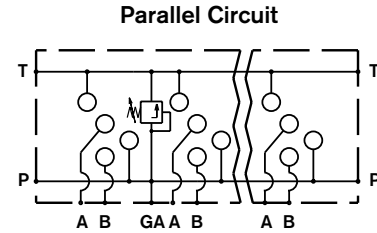
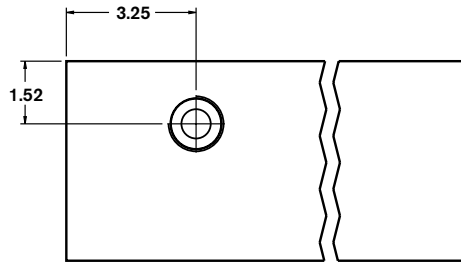
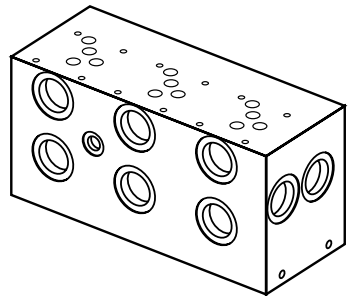


**BM10PNS- XX / 3 - RCR**

|                                      |         |              |                      |
|--------------------------------------|---------|--------------|----------------------|
| <b>Revision</b>                      | = XX    | <b>RCR =</b> | Relief Cavity DBDS10 |
| <b>Number of Station</b>             | = 01-07 | <b>12 =</b>  | SAE Threaded Ports   |
| <b>Material</b>                      | = A     | <b>01 =</b>  | BSPP Threaded Ports  |
| Aluminum 6061-T6, 3000 psi           |         |              |                      |
| Carbon Steel <sup>1</sup> , 5000 psi | = S     |              |                      |
| <b>Valve Spacing 3.25"</b>           | = 3     |              |                      |

1) Blackening



|       | P & T Port       | A & B Ports      | GA Ports      | Manifold (Mtg.)    | Valve (Mtg.)      |
|-------|------------------|------------------|---------------|--------------------|-------------------|
| ...12 | 1-1/16-12 SAE-12 | 1-1/16-12 SAE-12 | 9/16-18 SAE-6 | 5/16-18 x 0.65 DP. | 1/4-20 x 0.60 DP. |
| ...01 | 3/4" BSPP        | 3/4" BSPP        | 1/4" BSPP     | M8 x 0.65 DP.      | M6 x 0.60 DP.     |

| Number of Stations      | 01   | 02   | 03    | 04    | 05    | 06    | 07    |
|-------------------------|------|------|-------|-------|-------|-------|-------|
| Dim. "A"                | 5.00 | 6.88 | 10.13 | 13.38 | 16.63 | 19.88 | 23.13 |
| Approx. Weight AL (lbs) | 10   | 13   | 20    | 24    | 32    | 39    | 45    |
| Approx. Weight DI (lbs) | 26   | 35   | 52    | 64    | 86    | 102   | 120   |

All dimensions in inches