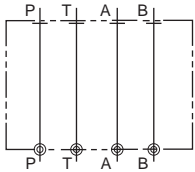


CETOP 3 Valve Subplate

FTMB6-3/8BA(S)

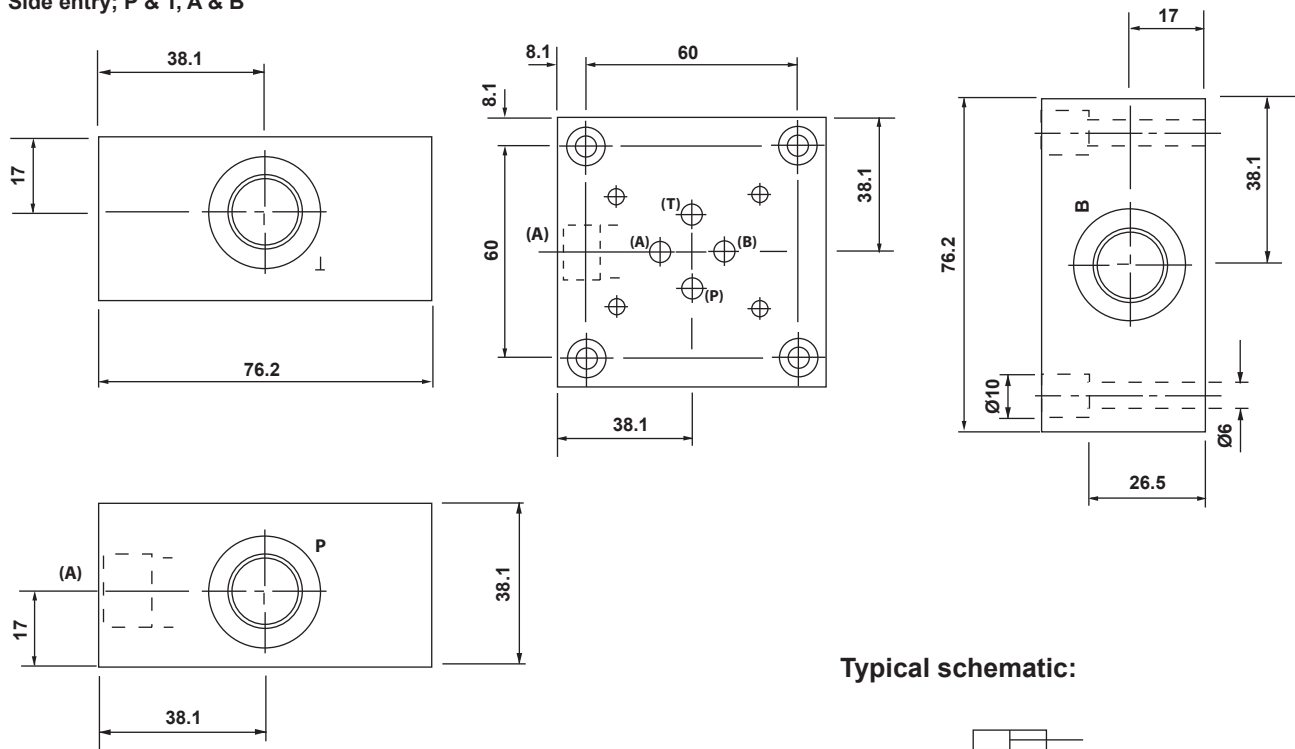
Features:

- Cetop 3 single-station side entry sideplate.
- Material; steel.
- Working pressure; 315 bar.
- 'P', 'T', 'A' and 'B' ports = 3/8" B.S.P. female.

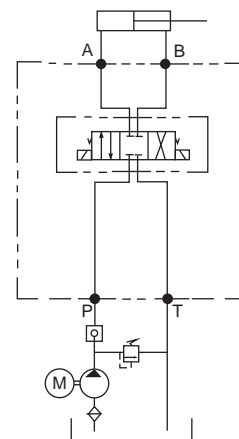


Dimensions:

Side entry; P & T, A & B



Typical schematic:



Model code

FTMB6	B	A
-------	---	---

Product type

Port size:
B = 3/8" BSP

Manifold material:

A = Aluminum
S = steel