

Features:

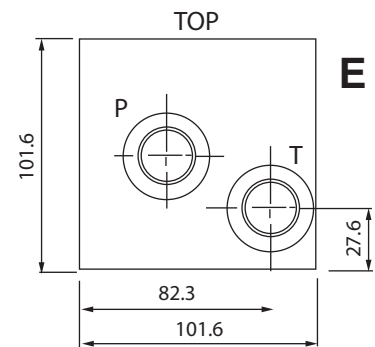
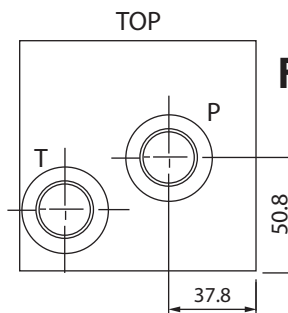
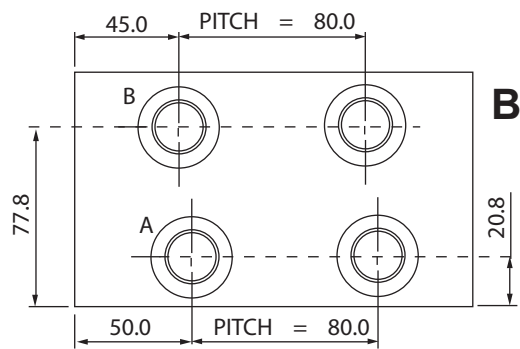
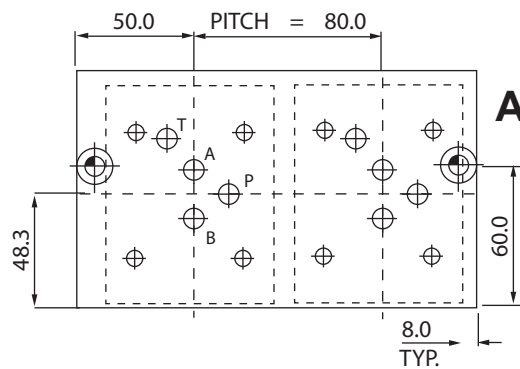
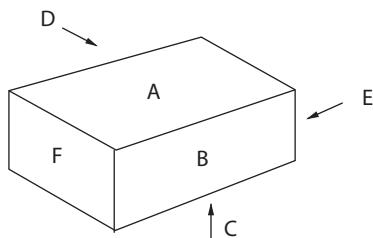
- Cetop 5 multi-station manifold.
- Material; steel.
- Working pressure; 315 bar.
- 'A' and 'B' ports = 3/4" B.S.P.
- 'P' and 'T' ports = 3/4" B.S.P.

Technical specifications:

Number of stations	Overall length
One	90.0
Two	170.0
Three	250.0
Four	330.0
Five	410.0
Six	490.0



Dimensions:



Model code

FTMB10A	2
---------	---

Product type:
FTMB10A (Aluminium)
FTMB10S (Steel)

1 - 8 Stations, options available