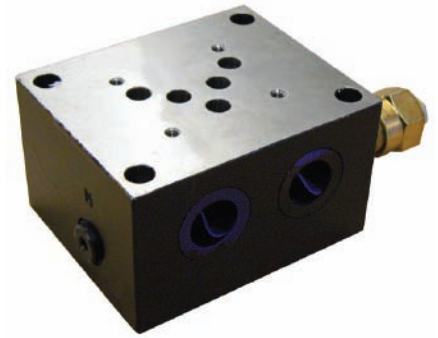
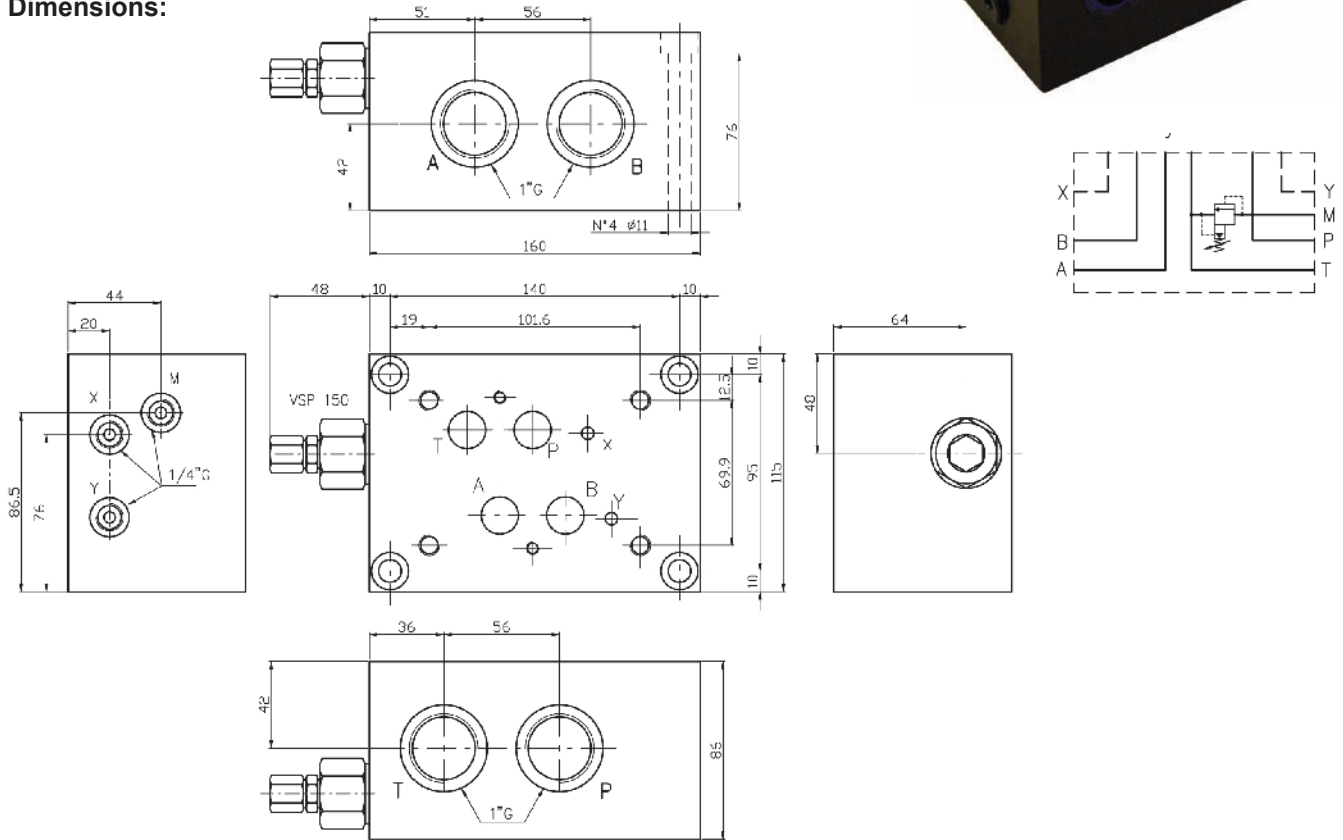


Features:

- Subplate A - B - P - T on long side = 1"G with pressure relief valve. (RV)
- Material; aluminum or steel



Dimensions:



Model code

FTMB16R	7	10	LL	X	2	S
Product type: Subplate						Manifold material: A = Aluminum S = steel
Cetop 7						Spring type: 0 = 1.7 - 70 bar 2 = 10-210 bar 3 = 35-420 bar
1"G = 10						
All ports on side = LL						X = with RV