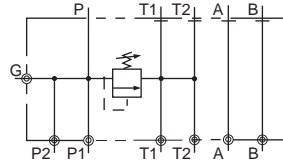
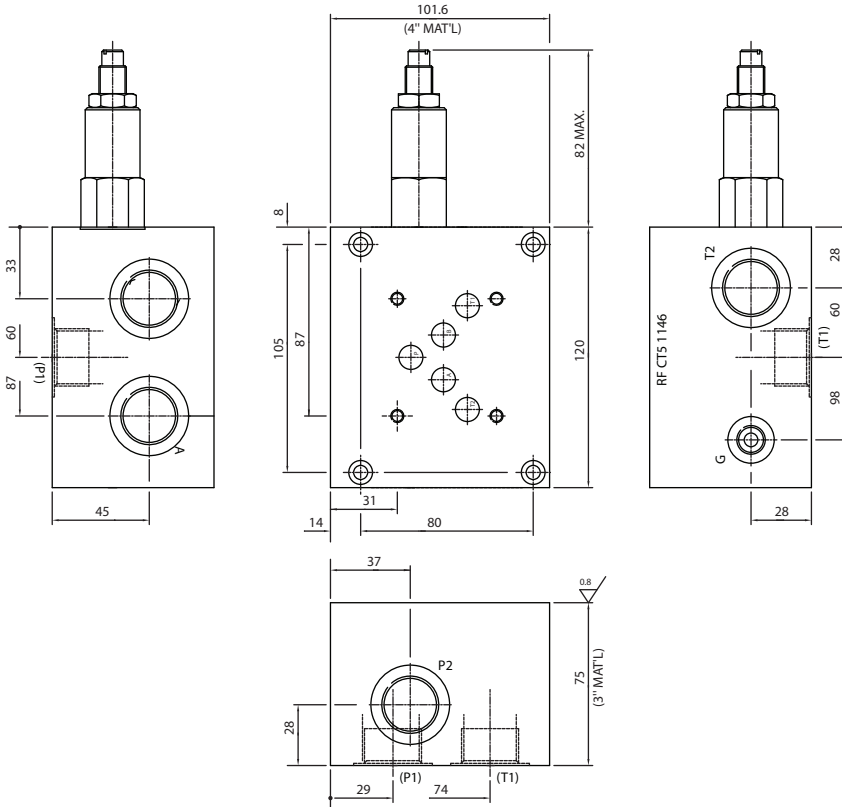


Features:

- Cetop 5 single-station side entry relief sub plate.
- Material; aluminum or steel
- Working pressure; 210 bar.
- 'P', 'T', 'A', 'B' and 'G' ports = 3/4" B.S.P. female.



Dimensions:



PORTS: - 'P1', 'P2', 'T1', 'T2',
 'A' & 'B' - 3/4" BSP
 'G' - 1/4" BSP
 VALVE - 1. DE-RVP-OO-4000 - RELIEF
 PRESSURE RANGE : 100 - 3100 Psi
 NOMINAL FLOW : 76 Lpm
 MFG.S. - 4 OFF HOLES FOR M6
 SOCKET HEAD CAP SCREWS

Model code

FTMB10R	B	S
---------	---	---

Product type

Manifold material:

A = Aluminum
 S = steel

Port sizes:
 P1, P2 - 3/4" BSP
 T1, T2 - 3/4" BSP
 A, B - 3/4" BSP
 G - 1/4" BSP
 RV Adj. Range: 7 - 210 Bar

