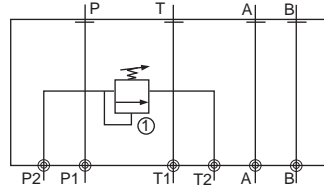
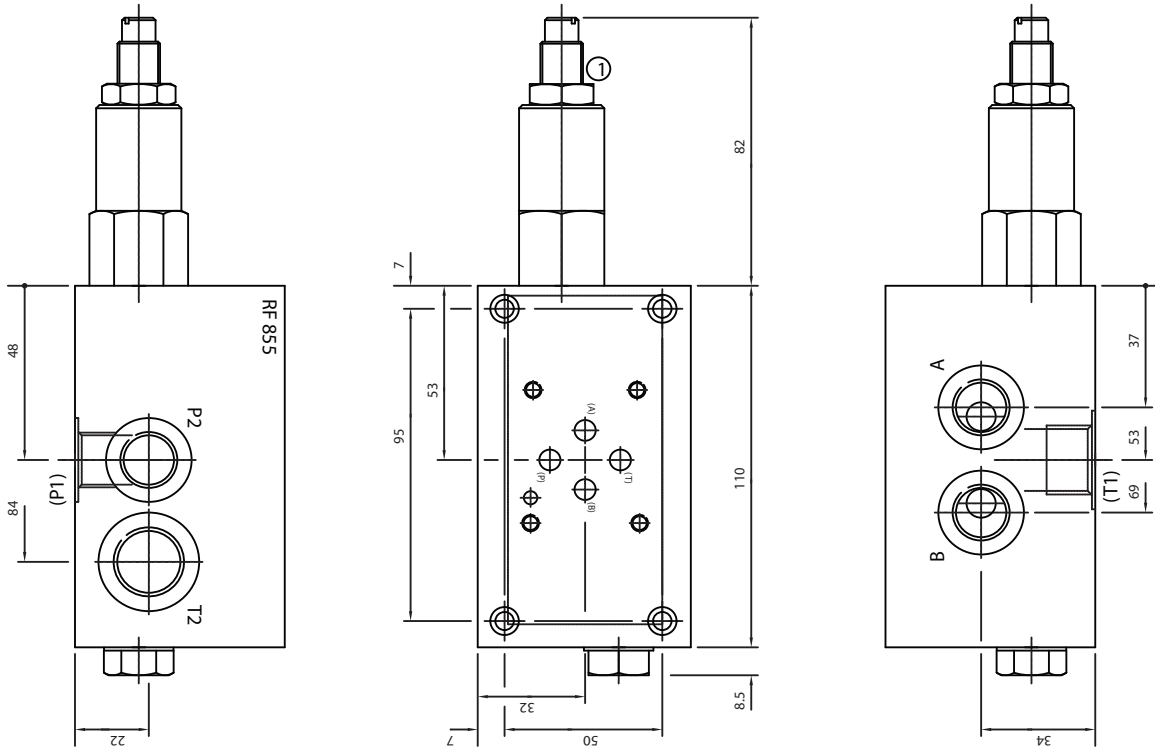


### Features:

- Cetop 3 single-station side and rear entry relief sub plate.
- Material; aluminum or steel
- Max. Working pressure; 210 bar.
- 'P', 'T', 'A' and 'B' ports = 3/8" B.S.P. female.



### Dimensions:



### Model code

<b>FTMB6R</b>	<b>B</b>	<b>S</b>
---------------	----------	----------

Product type

Manifold material:

- A = Aluminum
- S = steel

Port sizes:

P1, P2 - 3/8" BSP

T1, T2 - 1/2" BSP

A, B - 3/8" BSP

RV Adj. Range: 3 - 210 Bar

